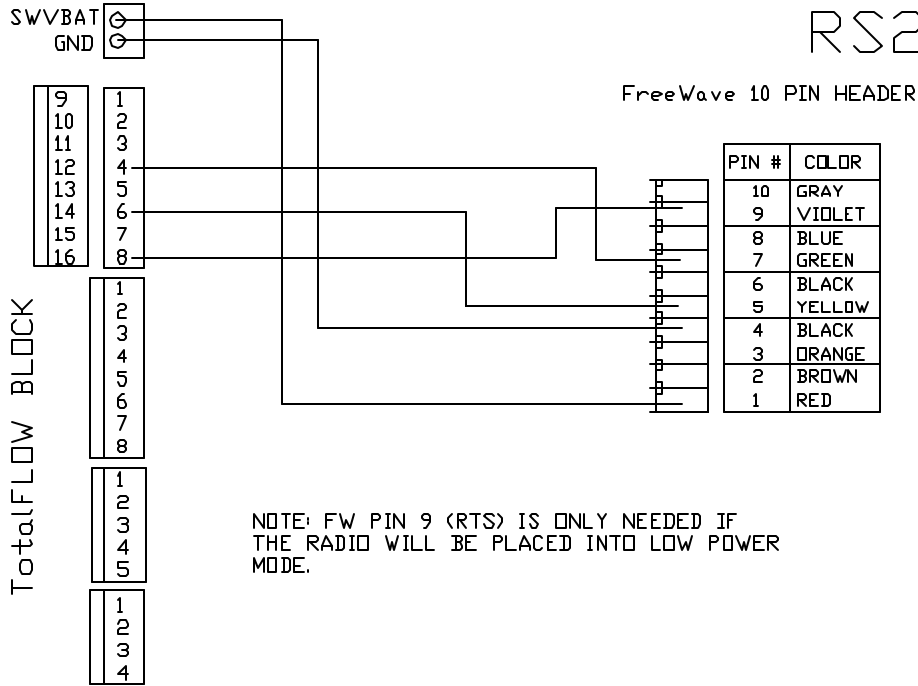


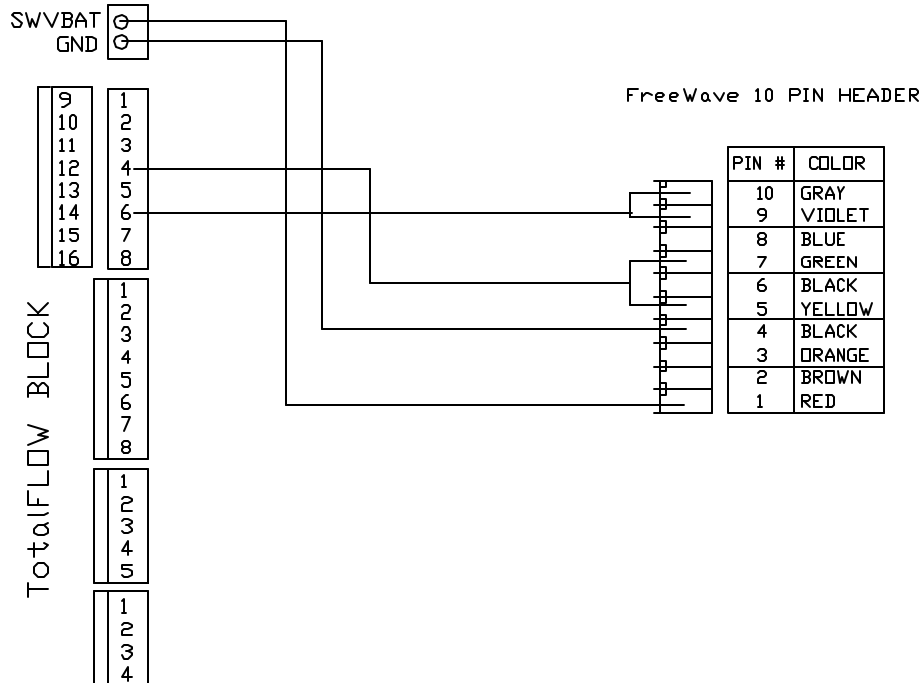
RS232



CONNECTIONS

FW PIN 1 (PWR)	TotalFLOW PIN B+
FW PIN 4 (GND)	TotalFLOW PIN GND
FW PIN 5 (TX)	TotalFLOW PIN 6 (RX)
FW PIN 7 (RX)	TotalFLOW PIN 4 (TX)
FW PIN 9 (RTS)	TotalFLOW PIN 8 (RTS)

RS485



CONNECTIONS

FW PIN 1 (PWR)	TotalFLOW PIN B+
FW PIN 4 (GND)	TotalFLOW PIN GND
FW PIN 5 (BUS+)	TotalFLOW PIN 4 (BUS+)
FW PIN 7 (BUS+)	TotalFLOW PIN 4 (BUS+)
FW PIN 9 (BUS-)	TotalFLOW PIN 6 (BUS-)
FW PIN 10 (BUS-)	TotalFLOW PIN 6 (BUS-)

FreeWave Technologies Inc.

1880 FLATIRON CT. SUITE F

APPROVED BY:

DRAWN BY: JPF

DATE: 4-11-03

FREEWAVE TO TotalFLOW

DRAWING NUMBER

TotalFLOW Wiring