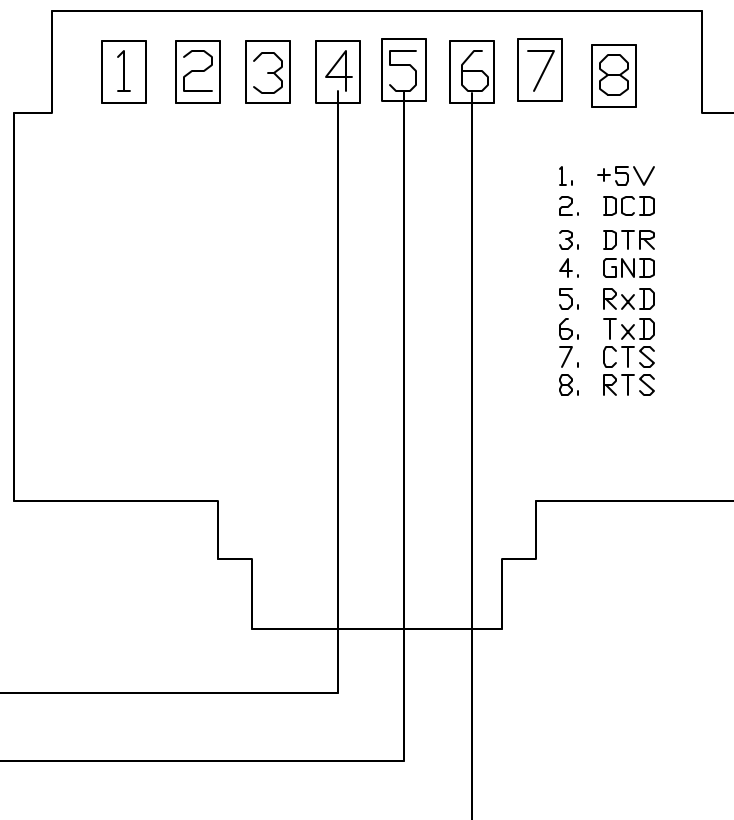
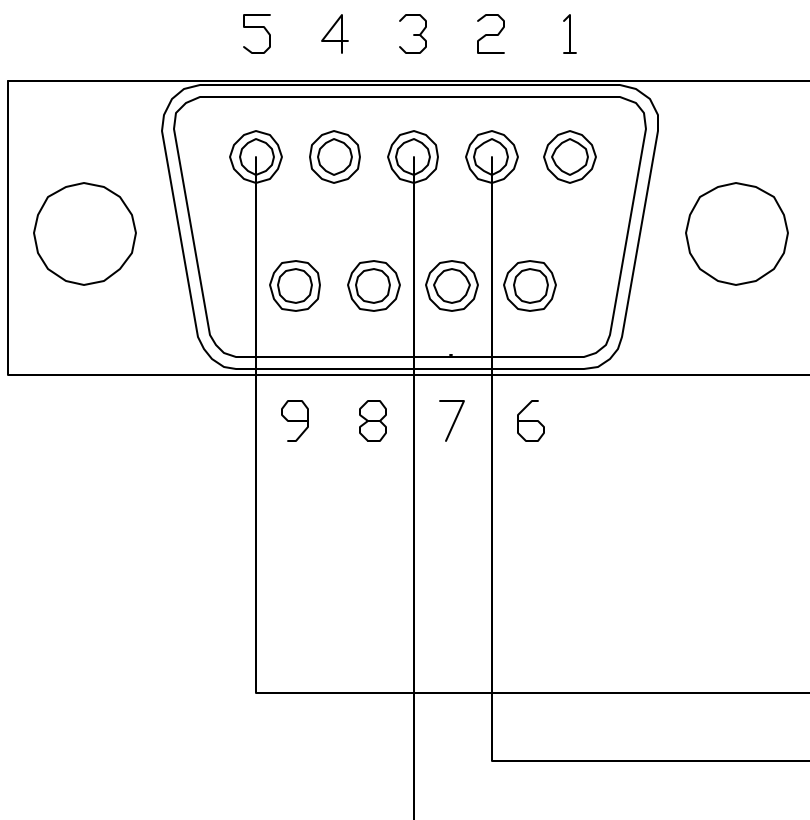


LTR	DESCRIPTION	DATE	APVD

REAR (SOLDER CUP) VIEW

9 PIN D CONNECTOR ECN1609MS

RJ-45 Modular Jack



CONNECTIONS

FW PIN 2 (TX)	SCADAPack PIN 5 (RxD)
FW PIN 3 (RX)	SCADAPack PIN 6 (TxD)
FW PIN 5 (GND)	SCADAPack PIN 4 (GND)

FreeWave Technologies Inc.

1880 FLATIRON CT. SUITE F BOULDER, CO 80301

APPROVED BY:

DRAWN BY: JPF

DATE: 11-26-2002

SCADAPack to FreeWave

DRAWING NUMBER
SCADAPack UDP